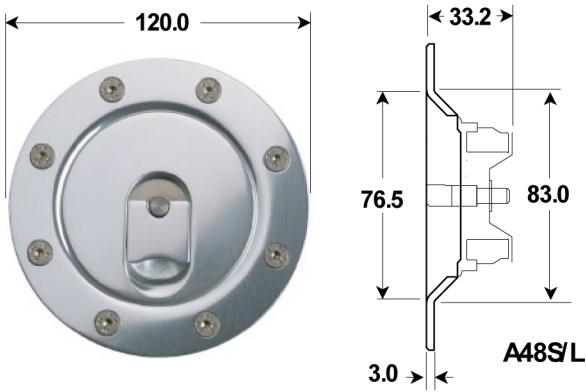


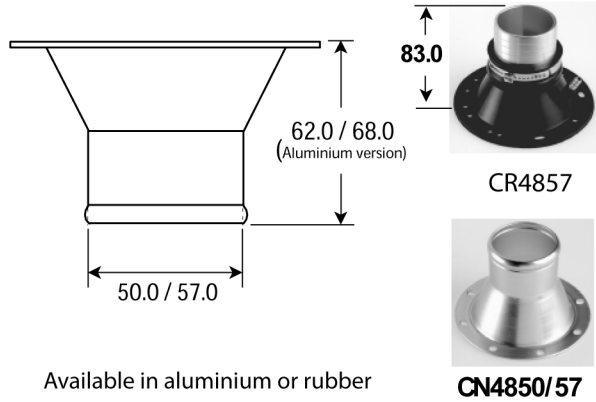


# Aero 400 Tech Specs

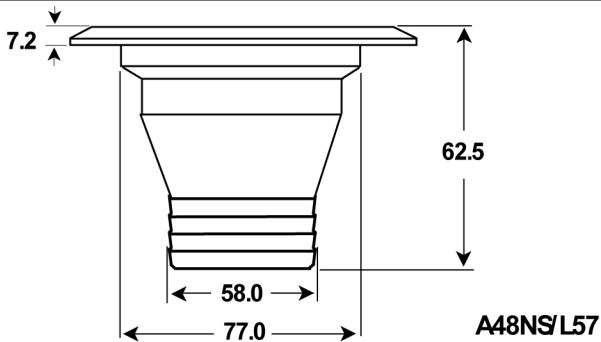
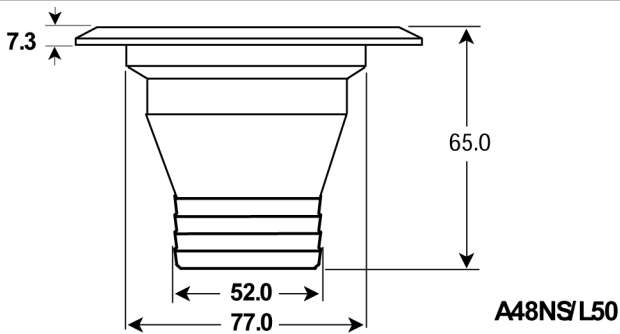
## Flange Type



## Connecting Neck



## Flange / Necks



## Specifications - A48S/L

**Applications:** Fuel oil & water tanks

**Fixing Holes:** 8 x 5.2mm csk

**Bolt Circle :** 101.6 mm

**Material:**

Flange & Centre: Aluminium Alloy 6082 T6

**Option - Metal Saddle**

**Finish:**

Anodised: **Clear (Silver) - option: Black**

**All dimensions are in Millimeters**

## Flange Options

Code	No. of bolts	Bolt Circle (PCD)
A48S :	8	101.6 mm
A49S :	9	101.6 mm

### Unleaded Option (A48NS50/57LF)

- The Aero 400 flange necks and connecting necks are available with lead free restrictor caps.

### Locking version (A48L)

- The Aero 400 is available with a locking (L) or non locking (S) option. The locking type can be supplied with matching key numbers



In accordance with our policy of continuous improvement we reserve the right to change our products without prior notice. Please contact our Technical Office for notice of any product updates. Rev. 00.05.10

## Fluid Containment - When It Matters

Tel: +44 (0)20 8594 7990 / Fax: +44 (0)20 8594 7989 / www.newton-equipment.com / info@newton-equipment.com

Registered in England . Ajax Works, Hertford Road, Barking, Essex, IG11 8DY, UK

© Newton Equipment 2010